

# vinylTherm<sup>®</sup> Stonechip Facade Profiles

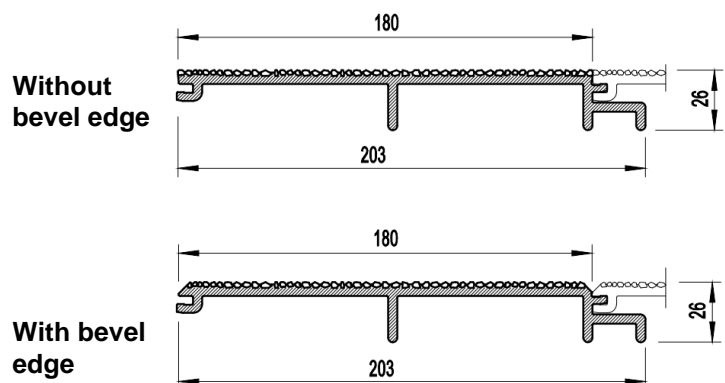
## Technical Data / Properties

**vinylTherm** Stonechip Facade Profiles are manufactured from high quality rigid plastic raw materials with natural stonechips welded into them.

### vinylTherm Facade Profiles with and without bevel edge

#### Dimensions / Weight

Width total	203	mm
Width cover	180	mm
Thickness	26	mm
Length	6,000	mm
Weight	6.4	kg/m <sup>2</sup>



#### Technical data/ Properties

Gross density	with aggregate	1.01	g/cm <sup>3</sup>	DIN 53479
	without	0.66	g/cm <sup>3</sup>	
Yield stress		≥ 14.5	N/mm <sup>2</sup>	DIN 53455
Tear strength		≥ 13.5	N/mm <sup>2</sup>	
Elongation to tear	(V=5mm/min)	≥ 20.0	N/mm <sup>2</sup>	
Bending stress	with aggregate	18.5	N/mm <sup>2</sup>	DIN 53452
	without	29.0	N/mm <sup>2</sup>	
Impact strength	with aggregate	30.0	KJ/m <sup>2</sup>	DIN 53453
	without	24.0	KJ/m <sup>2</sup>	
Elasticity module	with aggregate	646.0	N/mm	DIN 53457
	without	1197.0	N/mm	
Longitudinal expansion co-efficient		ca. 0.062	mm/mK	DIN 53752
Thermal conductivity	without	0.06	W/mK	DIN 52612

# **vinyTherm® Stonechip Facade Profiles**

## **Technical Data/ Properties page 2**

Water absorption	with aggregate	< 0,6	%	DIN 53495
	without	0,1	%	
Absorption		≤ 0,5	Degree $\alpha_e$	DIN 67507
Building material class		Germany: B1 acc. to DIN 4102		
		UK: Class 0 acc. to BS 476		

## **Assembly**

Normal fixing	Vertical onto timber sub-construction
Tools	Normal woodworking tools
Fixing	At 600 mm centres or closer
Fixings	Fixing screw 4.0 x 40 mm V2A with Torx Self drilling screw 3.5 x 25/17 mm V2A for aluminium sub-construction

## **Properties of use**

Instructions for care	Cleaning with high-pressure cleaner
Guarantee	30 years

## **Stonechip-colours**

Alpin	Elba
Dolomit	Bordeaux
Tirol	Ravenna
Sahara	Montana
Helios	Madeira
Aqua	Granit
Toscana	Basalt



Vinylit Fassaden GmbH

Vinylit Fassaden GmbH  
Gobietstraße 10

D-34123 Kassel/ Germany

Telefon +49(0)561/9591-333

Fax +49(0)561/9591-302

e-mail info@vinylit.de

Internet www.vinylit.com